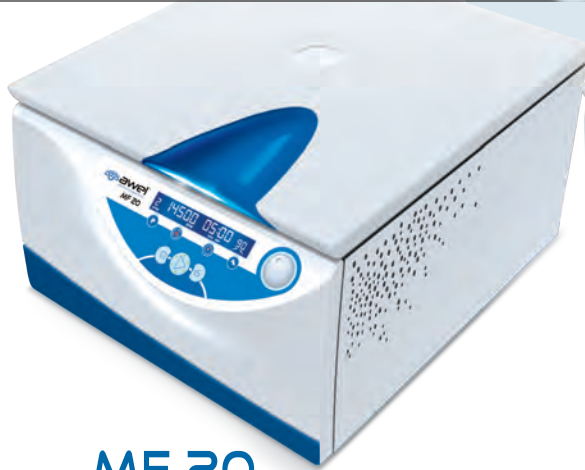


# MF 20/-R

# True Versatility



**MF 20**  
Ventilated



**MF 20-R**  
Refrigerated

## QUICK FACTS



4 x 200 ml  
36 tubes



14000 rpm



20800 xg

## MULTIFUNCTION CENTRIFUGES

The MF 20 series, **4 x 200 ml**, is designed to suit all your protocols up to 20 000 xg : AWElock rotor exchange without tools and large choice of accessories.

They are perfect for cell culture : optimized control at low speed, programmable acceleration and braking rates, no vibration, convenient height for ease of loading and unloading.



- Rotor exchange without tool
- Compact design
- Large choice of accessories
- Ease of use
- End of run indication



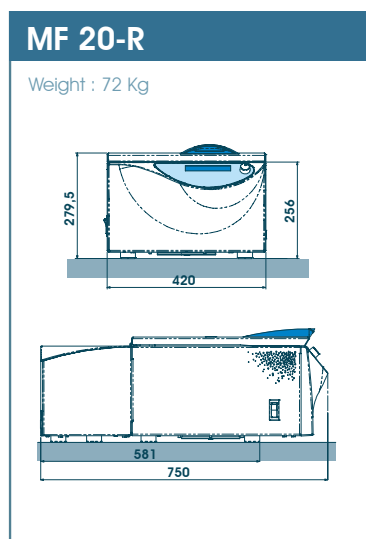
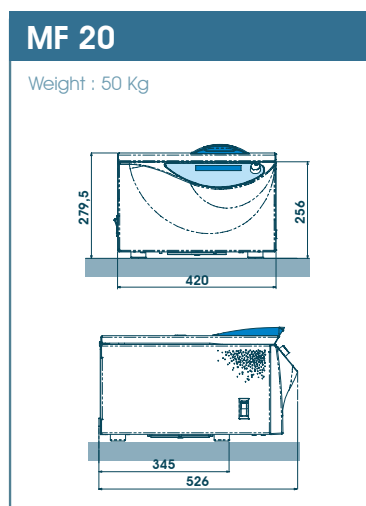
## French design and manufacturing

The development program has resulted AWEL centrifuges including the filing of 4 patents in 2009.

## [ Machine specifications ]

Specifications	MF 20	MF 20-R
Max. speed Swing-out rotor Angle rotor	4400 rpm 12600 rpm	4400 rpm 14000 rpm
Max. RCF Swing-out rotor Angle rotor	3500 xg 17800 xg	3500 xg 20800 xg
Max. capacity Swing-out rotor Angle rotor	4 x 200 ml 8 x 50 ml	4 x 200 ml 8 x 50 ml
Control system	microprocessor	microprocessor
Speed range	500 to 12600 rpm	500 to 14000 rpm
Speed precision	20 rpm	20 rpm
Temperature Range	-	-20 to +60°C
Timer	0 - 99h50 and continuous	0 - 99h50 and continuous
Acceleration / Braking Rates	10 / 10	10 / 10
Programs	10	10
Lid Opening	motorized	motorized
Motor type	induction	induction
Certification	EC marked : IEC 1010-1 ; IEC 1010-2-020 Directives	
Dimensions (HxWxD)	280 x 420 x 520 mm	280 x 420 x 750 mm
Crating (HxWxD)	460 x 610 x 650 mm	460 x 610 x 890 mm
Weight (Net/Crated)	50 / 56 kg	70 / 79 kg
230 V - 50 Hz version	20020001	20021001
120 V - 60 Hz version	20020011	20021011

## [ Dimensions ]



## [ Accessories ]

Ref.	Accessories
30020019	SL-200 Swing-out rotor   4 x 200 ml
30000035	N-200 buckets for SL-200 swing-out rotor - Set of 4
30000008	BL-125/200 lids for N-125 & N-200 buckets - Set of 4
30000023	Inserts for 7 x 1.5/2 ml microtubes - Set of 4
30000017	Inserts for 12 x 5 ml open tubes - Set of 4
30000010	Inserts for 6 x 5-7 ml collection tubes - Set of 4
30000020	Inserts for 7 x 5-7 ml BD & Greiner collection tubes Set of 4
30000024	Inserts for 9 x 5-7 ml Terumo coll. tubes - Set of 4
30000012	Inserts for 6 x 10 ml collection tubes - Set of 4
30000021	Inserts for 7 x 10 ml BD collection tubes - Set of 4
30000014	Inserts for 3 x 15 ml conical tubes - Set of 4
30000022	Inserts for 4 x conical tubes dia. 22 mm - Set of 4
30000016	Inserts for 1 x 50 ml conical tube - Set of 4
30000031	Inserts for 1 x 100 ml tube dia. 44 mm - Set of 4
30020002	SL20-MTP Swing-out rotor for microtitration buckets

Ref.	Accessories
30000026	2 microtitration buckets - capacity 2 x 3 microplates
30020003	AMF20-32.15 Angle rotor   32 x 15 ml
30020008	AMF20-24 - 24 x 1.5/2 ml Angle rotor (MF 20-R: 20350 xg)
30020016	AMF20-30 - 30 x 1.5/2 ml Angle rotor (MF 20-R: 17990 xg)
30020014	Adaptors for PCR tubes dia. 8 mm - Set of 12
30020017	Adaptors for PCR tubes dia. 6 mm - Set of 12
30020006	AMF20-10 - 10 x 10 ml Angle rotor (MF 20-R: 18130 xg)
30020007	AMF20-8 - 8 x 50 ml conical Angle rotor (MF 20-R: 15000 xg)
30020012	Adaptors for 15 ml conical tubes - Set of 8
30020013	Cushions for 50 ml round bottom tubes - Set of 8



Distribuito da:  
Zetalab s.r.l.  
Via Castelfidardo, 11 - 35141 Padova  
Telefono 049 2021144 - Fax 049 2021143  
Internet: [www.zetalab.it](http://www.zetalab.it) - e-mail: [info@zetalab.it](mailto:info@zetalab.it)