

DIAPHRAGM VACUUM PUMP N 920 G

DATA SHEET E 218



Technical features

- 100 % oil-free transfer – thereby pure transferring and evacuation of gases
- High suction speed, particularly in the low vacuum range
- Integrated gas ballast valve
- Integrated rotational speed control enables pumping capacity to be easily adapted manually to process requirements
- Ideal for aggressive/corrosive gases and vapors
- Maintenance-free
- Environmentally friendly

Tip: When combined with the VC 900 vacuum control unit and the connection cable, the rotational speed is controlled in accordance with the requirements of the process.

Technical data

Flow rate [m ³ /h] at atm. pressure	1.26
Flow rate [l/min] at atm. pressure	21
Ultimate vacuum [mbar abs.]	2.0 < 5.0 with gas ballast valve in use
Operating pressure [bar]	0.5
Permissible media temperature [°C]	+5 ... +40
Permissible ambient temperature [°C]	+10 ... +40
Mains [V/Hz]	100 - 240/50 - 60
Motor protection	IP 20
Power P ₁ [W]	135
Operating current [A]	1.4
With overcurrent protection and main fuse	

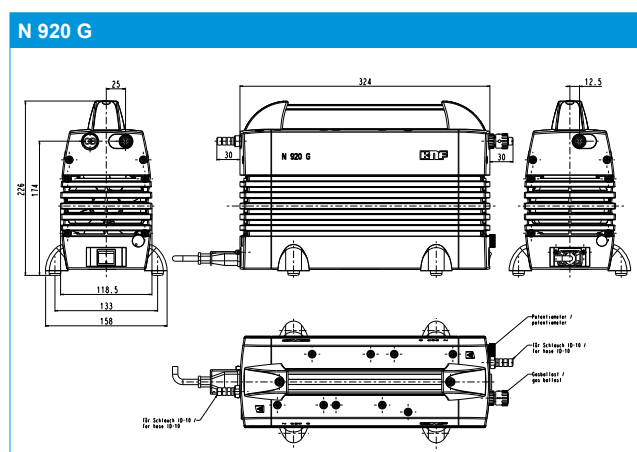
OTHER DATA

Hose connections [mm]	for tube ID 10
Weight [kg]	8.5
Dimensions W x H x D [mm]	158 x 226 x 324

MATERIALS

Pump head	PPS
Diaphragm	PTFE-coated
Valves	FFPM

Dimensions

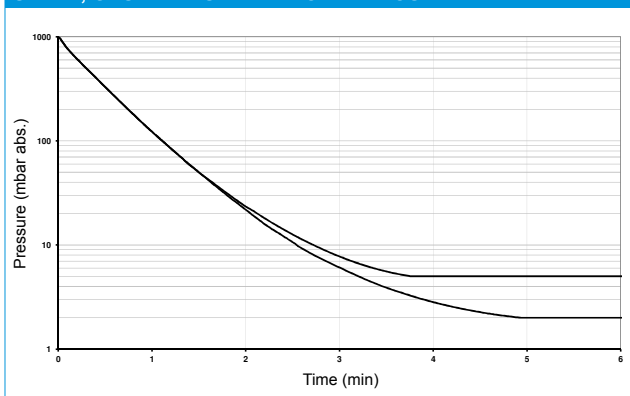


ACCESSORIES

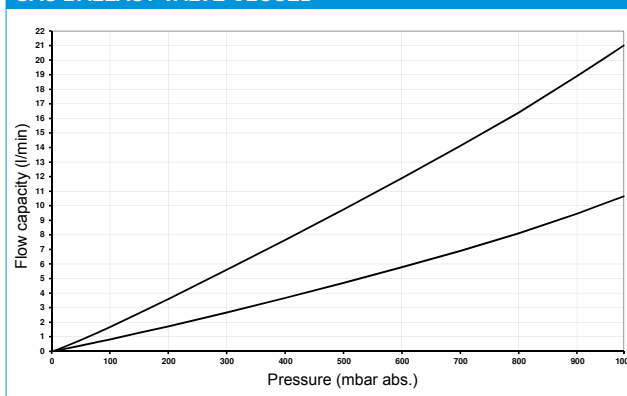
ACCESSORIES	ID
Silencer G 1/8	007006
Fine control valve with vacuum gauge	112432
Small flange, stainless steel SF 16	046625
Spares kit	111905

Performance characteristics

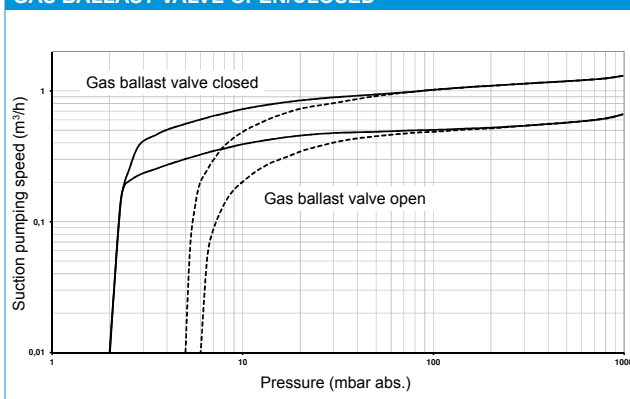
PUMP DOWN TIME FOR 10 LITER VESSEL AT MAX. MOTOR SPEED, GASBALLAST VALVE OPEN/CLOSED



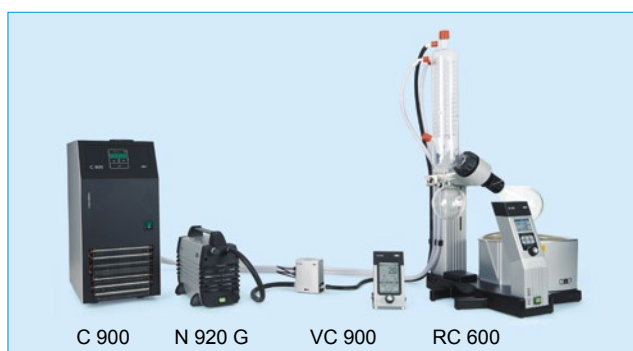
FLOW CAPACITY AT MIN./MAX. MOTOR SPEED GAS BALLAST VALVE CLOSED



SUCTION PUMPING SPEED AT MIN./MAX. MOTOR SPEED GAS BALLAST VALVE OPEN/CLOSED



Combination possibility



Via Umberto Giordano, 5 - 35132 Padova
 Tel 049 2021144 - Fax 049 2021143
 www.zetalab.it - info@zetalab.it

Zetalab.it
 Distribuito da: **Zetalab s.r.l.**