

MX 15

SINGLE CHANNEL CONTROLLER

ENCLOSURE

Size	185 x 157 x 67 mm (W x H x D)
Material	ABS
Mounting	By DIN Rail supplied
Cable entries	3 cable-glands M20 (outer diameter 5.5 to 12 mm) 1 cable-glands M16 (outer diameter 4 to 8 mm)
Protection	IP31

POWER SUPPLY

Voltage	230 or 115 VAC and 21 to 30 VDC (nominal 24 VDC)
Consumption	20 VA

OPERATING TEMPERATURE

-10 to +45°C

CABLING

Sensors	1 flammable gas detector OLC 10 or 2 detectors OLC 10 TWIN for detection of methane, butane, propane in boiler rooms and LPG, Natural Gas for Vehicles or H ₂ in car parks 1 flammable gas transmitter OLCT 10 for detection of methane, butane, propane in boiler rooms and LPG, Natural Gas for Vehicles or H ₂ in car parks
Terminal block	1 to 5 similar detectors type OLCT 10 for detection of CO, NO, NO ₂ in car parks for example Signal / 2 : 0 V / 3 : + 24 VDC
Maximum cable length	OLC 10 (flammable only): 3-wire, shielded, core size 1 to 1.5 mm ² , 300 m max OLC 10 TWIN (flammable only): 4-wire, shielded, core size 1 to 1.5 mm ² , 300 m max OLCT 10 (flammable or SC): 3-wire, shielded, core size 1 to 1.5 mm ² , 1 Km max OLCT 10 (toxic): 2-wire, shielded, core size 0.75 to 1.5 mm ² , 4 Km max

DISPLAY

Type	Liquid Crystal Display, 4 digits and extra friendly symbols
Visual indications	4 DELs. Green: power on, Red: alarms triggered, Orange: failure
Gas and unit	Selectable in a programmed list

KEYBOARD

	3 keys for access to main menu, test or acknowledgement 1 : Enter / Menu, 2 : - / test indicator, 3 : + / acknowledgement
	2 programmable and independent levels, falling or increasing alarms, latching or unlatching modes, local or remote acknowledgment

ALARMS & RELAYS

	2 alarm relays normally energized, selectable normally open or normally closed (de-energized on request at the factory)
	1 fault relay, normally energized
	Relay ratings : 2A at 250 Volts AC or 30 Volts DC

APPROVALS

ATEX 94/9/CE Directive	Category 3G (flammable gas detection metrology EN 61779-1 and EN 61779-4)
Low Voltage Directive	EN 61010
Electromagnetic Compatibility (EEC directive)	EN 50270



- On-board display
- DIN rail mounting provided
- 2 fully programmable alarms
- 3 on-board relays

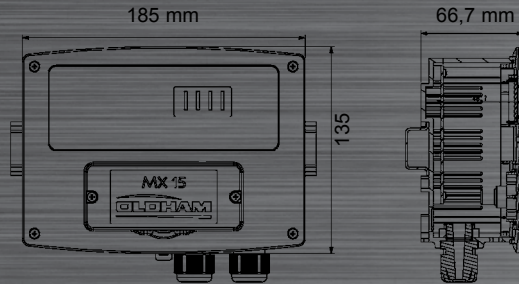
Designed for use in boiler rooms and car parks, the new MX 15 controller provides the most cost effective solution for the monitoring toxic or flammable gases and vapors in ambient air.

Easy to install and operate, the MX 15 control unit combined with the OLC(T) 10 detectors provide a low cost solution for light industrial applications.

MX15

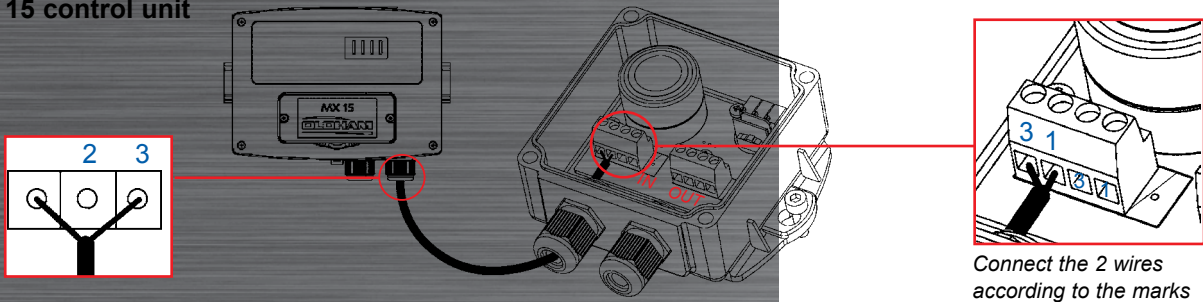
SINGLE CHANNEL CONTROLLER

DIMENSIONS



WIRING CONNECTION BETWEEN OLCT 10 (TOXIC) AND MX 15 CONTROL UNIT

MX 15 control unit



EXAMPLE OF WIRING CONNECTION FOR COMBUSTIBLE GASES AND OLCT 10 SC

MX 15 control unit

