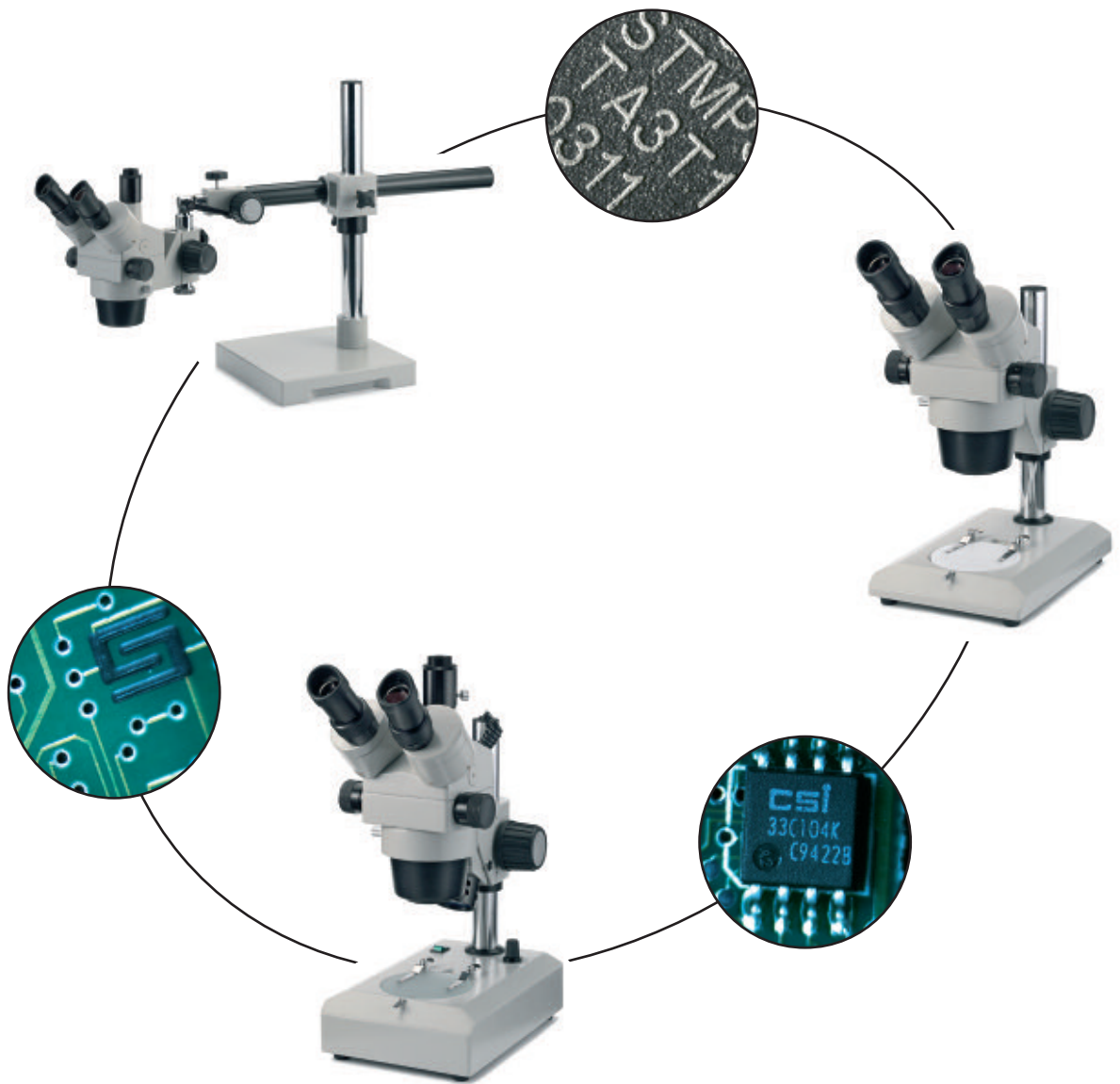


NOVEX[®]



INDUSTRY

RZ-series

Stereo Zoom Microscopes

Novex RZ Stereo Zoom Microscopes

65.700



The Novex RZ series stereo zoom microscopes for industrial application are of exceptional quality.

Binocular and Trinocular Zoom Heads

The Novex RZ stereo zoom microscopes are available in both binocular and trinocular versions, 45° inclined viewing head, 360° rotatable. The eyepieces have an interpupillary distance adjustment from 52 to 80 mm and a dioptic adjustment.

Optics

The Novex RZ is equipped with a 1:7 ratio zoom objective. In combination with the standard wide field eyepieces, WF 10x/20, magnifications of 6.5 to 45 times can be reached at a working distance of 95 mm. Different magnifications and working distances can be achieved with supplementary lenses and optional WF 15x/16, WF 20x/13 and WF 25x/12 eyepieces.

Eyepiece		WF 10x (standard)		WF 15x (optional)		WF 20x (optional)	
Supplementary Lens	Working distance	Magnification	Field of view (mm)	Magnification	Field of view (mm)	Magnification	Field of view (mm)
65.753	0,4 x 225 mm	2,6 - 18 x	82 - 12	3,9 - 27,0 x	65 - 9,8	5,2 - 36 x	52 - 8,0
65.754	0,5 x 160 mm	3,2 - 22 x	64 - 9,0	4,9 - 33,7 x	52 - 7,3	6,5 - 45 x	41 - 6,0
65.755	0,75 x 110 mm	4,8 - 33 x	40 - 5,7	7,3 - 50,5 x	32 - 4,7	9,8 - 67 x	26 - 3,7
Standard	95 mm	6,5 - 45 x	31 - 4,4	9,7 - 67,5 x	25 - 3,6	13,0 - 90 x	20 - 2,9
65.757	1,5 x 40 mm	9,7 - 67 x	20 - 2,9	14,6 - 101 x	16 - 2,3	19,5 - 135 x	13 - 1,9
65.758	2,0 x 25 mm	13 - 90 x	15 - 2,2	19,5 - 135 x	12 - 1,7	26,0 - 180 x	10 - 1,4

Remark: the printed values for the fields of view are typical

Parfocal

These microscopes are 100% parfocal, which means that the image remains in focus throughout the entire zoom range. The benefit of good parfocality is that the microscope does not require to be refocused when the magnification is changed.

The trinocular head is equipped with a vertical phototube with C-mount adapter to connect a digital camera. When the phototube is in use the image remains visible in one eyepiece. Adaptors for SLR cameras can be supplied on request.

65.710



Article	Description	Remarks
65.500	Binocular RZB microscope	with PL stand without illumination
65.510	Trinocular RZT microscope	with PL stand without illumination
65.550	Binocular RZB microscope	with SF stand for incident and transmitted illumination
65.560	Trinocular RZT microscope	with SF stand for incident and transmitted illumination
65.700	Binocular RZB head	head without stand
65.710	Trinocular RZT head	head without stand

Stands

Four Stands are available for the RZ Stereo Heads.

65.500



PL-Stand

This stand has an aluminium base with a chrome-plated column of 260 mm \varnothing 30 mm. This particular stand does not have a built-in illuminator.

PL-stands are supplied with one black-white plastic stage plate and two object clamps.

65.560



SF-Stand

This stand is identical to the PL-stand but has a built-in adjustable incident halogen illuminator, including daylight filter. The transmitted illumination is a fluorescence daylight type, 5 Watt, 6400° Kelvin. By using one or two transparent stage plates you can vary the intensity of the transmitted illumination. SF-stands are supplied with two transparent stage plates, one black-white stage plate and two object clamps.

65.725



LV-Universal Stand

A large heavy stand for observation of larger objects up to 300 mm in height. A 500 mm, \varnothing 38 mm vertical column is mounted on the heavy base, which is 255 x 255 mm.

The horizontal arm can be positioned in all directions. The maximum distance from the vertical column to the optical axis is 660 mm. Weight 18 kg. With the viewing head holder 65.720, the stereo zoom heads 65.700 or 65.710 can be mounted onto the horizontal arm.

65.720



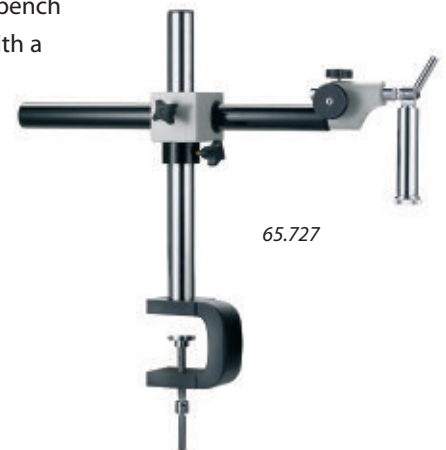
LT-Universal Stand

Identical to the LV-universal stand but equipped with a bench clamp to allow the microscope to be fixed to a bench with a maximum thickness of 65 mm.

Stereo Head Holder

With this holder a stereo zoom head (65.700 or 65.710) can be mounted onto universal stands (65.725 or 65.727).

65.727



Article	Description	Remarks
65.720	Stereo head holder	height adjustable, for mounting of RZ binocular or trinocular stereo heads
65.725	LV-universal stand	weight 18 kg, to be used with stereo head holder 65.720
65.727	LT-universal stand	with bench clamp, to be used with stereo head holder 65.720
AE.1950	Positioning X-Y stage	395 x 395 mm; translation X-Y 360 x 260 mm with ball bearing
AE.1960	Round positioning table	tabletop can be positioned in all directions, \varnothing 20 cm

Good illumination of an object is crucial for stereo microscopy. When the correct illumination is chosen the details of the observed object will be more distinct. Comfort and desired light intensity are the factors that determine the choice.

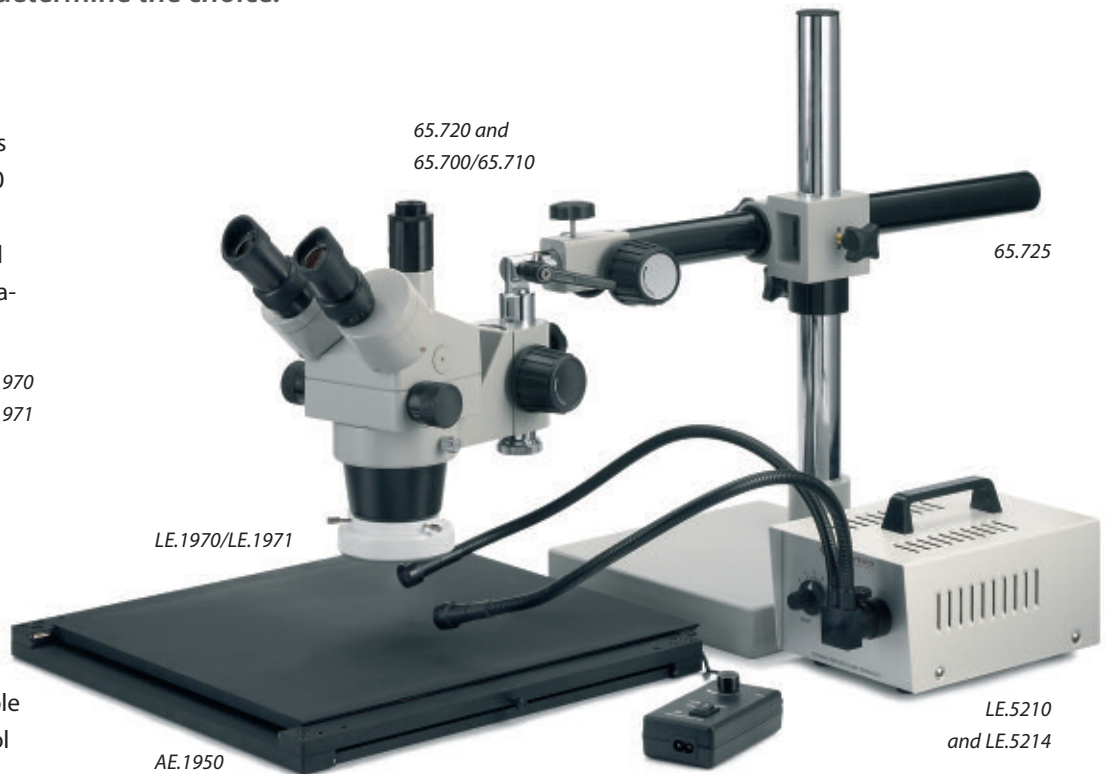
EuroLed 56 and EuroLed 40 - 4300 K

The ring light illuminators with respectively 56 or 40 white LED's can both be adjusted between 10 and 100%. The colour temperature is max. 4300 K.



LE.1970
LE.1971

The LE.1970 and LE.1971 produce a clear and intense white light suitable for lengthy quality control applications.



LE.1970/LE.1971

AE.1950

65.720 and
65.700/65.710

65.725

LE.5210
and LE.5214

Fluorescent Ring Illuminator

10 Watt fluorescent ring illuminator for incident illumination with 'long-life' lamp (>5000 hrs). For 230 Volts operation.



65.865



LE.1863

Fluorescent Ring Illuminator - 5200 K

Fluorescent 40 kHz ring light for incident illumination. The colour temperature is max. 5200 K. For 230 Volts operation. The 40 kHz frequency provides the user with a comfortable light which is excellent for lengthy microscopy sessions.

Article	Description	Remarks
LE.1970	56 LED ring illuminator	Working distance 55 to 120 mm. Adjustable light intensity <i>Without supplementary lens, adapter 65.868 is required With supplementary lens, adapter 65.869 is required</i>
LE.1971	40 LED ring illuminator	Working distance 25 to 75 mm. Adjustable light intensity <i>Without supplementary lens, adapter 65.868 is required With supplementary lens, adapter 65.869 is required</i>
65.865	Fluorescent ring illuminator	Fixed light intensity <i>Without supplementary lens, no adapter is required With supplementary lens, adapter 65.869 is required</i>
LE.1863	Fluorescent 5200 K ring illuminator	Working distance 30 to 160 mm. Fixed light intensity <i>Without supplementary lens, adapter 65.868 is required With supplementary lens, adapter 65.867 is required</i>

Cold-light Illuminators

Cold-light illuminators with a maximum colour temperature of 3100° K are commonly used types of illumination. They are crucial when a high light intensity is required. For 230 Volts operation.



LE.5209

The 20 Watt cold-light source with light guide LE.5209 is compact and economical. The light intensity is factory preset and fixed. Supplied with a 'flex & stay' light guide 40 cm long, ø 6 mm.

The multi functional 100 Watt cold light source LE.5210 is a commonly used cold light illuminator with a 100 Watt halogen lamp. The light intensity is fully adjustable. Supplied without light guide.

The multi functional 150 Watt cold light source LE.5211 is a brand new Euromex design cold light illuminator with a 150 Watt halogen lamp. The light intensity is fully adjustable. Supplied without light guide.



LE.5211 and
LE.5214

Depending on the application, the cold light sources LE.5210 and LE.5211 can be used with 'flex & stay' guides, fully flexible guides or fibre optic ring lights.



LE.5210

LE.5239/LE.5240



LE.5215

LE.5214

AE.1960



Positioning tables

Positioning tables allow easy and precise positioning of objects when using high magnifications - e.g. in the electronic and mechanical industry - the X-Y table (AE.1950) with ball bearings is available. The size of this table is 395 x 395 x 30 mm.

The round positioning table AE.1960, ø 20 cm is ideal to move objects freely around a central point smoothly and precisely.

Article	Description	Remarks
LE.5209	20 W cold light source	with 'flex & stay' single-arm fibre optic light guide
LE.5210	100 W cold light source	without light guides. Adjustable light intensity
LE.5211	150 W cold light source	without light guides. Adjustable light intensity
LE.5213	Single-arm glass fibre	gooseneck 'flex & stay' light guide ø 4 mm, 50 cm
LE.5214	Two-arm glass fibre	gooseneck 'flex & stay' light guide ø 4 mm, 50 cm
LE.5215	Three-arm glass fibre	gooseneck 'flex & stay' light guide ø 4 mm, 50 cm
LE.5239	Ring light illumination	with fibre optic light guide ø 8 mm, 60 cm (*)
LE.5240	Ring light illumination	with fibre optic light guide ø 8 mm, 100 cm (*)

(*) When a supplementary lens is used with a RZ stereo head together with the ring light illuminator LE.5239 or LE.5240, a 65.869 adapter is required. If no supplementary lens is used, adapter 65.868 is required.

Accessories

Wide Field Eyepieces

- 65.736 Pair wide field eyepieces WF 10x / 20 (standard)
- 65.737 Pair wide field eyepieces WF 15x / 16
- 65.738 Pair wide field eyepieces WF 20x / 13
- 65.740 Pair wide field eyepieces WF 25x / 12
- 65.749 Wide field eyepieces WF 10x / 20 with micrometer graticule
10 mm/100 parts. Adjustable lens
- 65.750 Pair eyecups for all eyepieces

Supplementary Lenses and Adapters for Illuminators

- 65.753 Objective 0.4x, working distance 225 mm
- 65.754 Objective 0.5x, working distance 160 mm
- 65.755 Objective 0.75x, working distance 110 mm
- 65.757 Objective 1.5x, working distance 40 mm
- 65.758 Objective 2.0x, working distance 25 mm
- 65.867 Adapter for LE.1863, required when using supplementary lenses
- 65.868 Adapter for LE.5239, LE.5240, LE.1970, LE.1971 and LE.1863,
required when no supplementary lenses are used
- 65.869 Adapter for LE.5239, LE.5240, LE.1970, LE.1971 and 65.863,
required when using supplementary lenses

Adapter for camera

- 65.818 23.2 mm phototube for RZT trinocular head
- 65.819 Adapter for SLR camera with 2.5x photo eyepiece and T2 thread
- 65.820 Adapter for SLR camera with adjustable eyepiece.
With 2.5x photo eyepiece and T2 thread

Accessories for Cold Light Sources

- LE.5222 Focusing head for mounting LE.5224 lens and filters. Suitable for 'flex & stay'
and flexible light guides
- LE.5228 Focusing head identical to LE.5222 but with iris diaphragm for light-intensity
adjustment without altering the colour temperature
- LE.5223 Colour filter set (red / blue / green) for LE.5222 and LE.5228
- LE.5224 Aspherical condenser lens for LE.5222 and LE.5228
- LE.5231 Conversion filter KB12/80B for daylight film
- LE.5229 Polarisation filter for reducing reflections

Miscellaneous

- 65.871 Stage plate black/white \varnothing 94 mm for PL and SF stands
- 65.872 Transparent glass stage plate, \varnothing 87 mm for SF stand
- 65.873 Transparent glass stage plate, \varnothing 94 mm for SF stand
- 65.895 Spare halogen bulb 6 Volt 10 Watt with reflector for incident illuminator
for SF stand (65.550 and 65.560)
- 65.896 Spare fluorescent bulb 5 Watt, 6400° K for transmitted illumination for SF stand
(65.550 en 65.560)
- 65.960 Cabinet with handle, lock Suitable for models RZ with PL stands (65.500 & 65.510)
- 65.961 Cabinet with handle, lock Suitable for models RZ with SF stands (65.550 & 65.560)

- SL.5208 Spare halogen bulb with reflector, 12 V, 20 Watt for LE.5209
- SL.5219 Spare halogen bulb with reflector, 12 V, 100 Watt for LE.5210
- SL.5230 Spare halogen "long-life" bulb with reflector, 12 V, 100 Watt for LE.5210
- SL.5235 Spare halogen bulb 15 V, 150 Watt for LE.5211
- SL.1864 Spare bulb for LE.1863
- AE.5227 Glass fuses 1 Amp, 10 pieces per pack

Distribuito da:
Zetalab s.r.l.
Via Castelfidardo, 11 - 35141 Padova
Telefono 049 2021144 - Fax 049 2021143
Internet: www.zetalab.it - e-mail: info@zetalab.it